

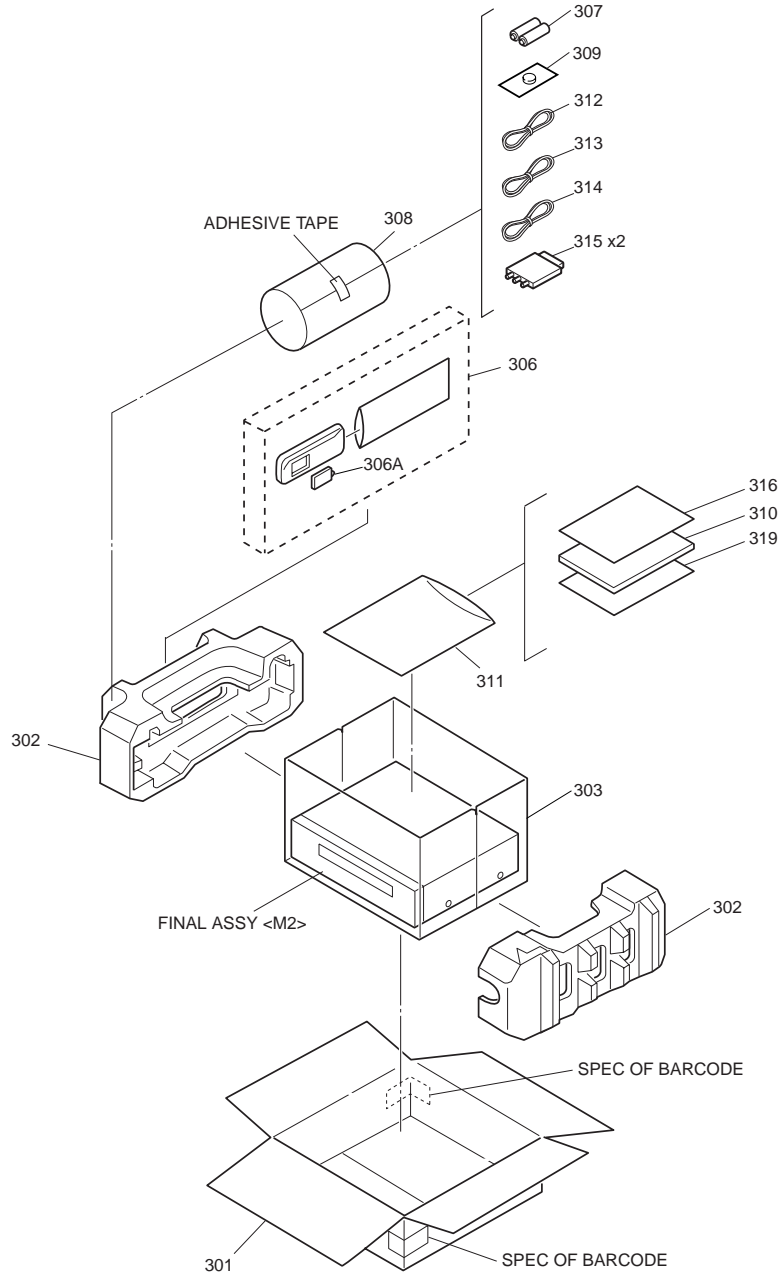
SECTION 5 PARTS LIST

SAFETY PRECAUTION

Parts identified by the \triangle symbol are critical for safety. Replace only with specified part numbers.

5.1 PACKING AND ACCESSORY ASSEMBLY <M1>

The instruction manual to be provided with this product will differ according to the destination.



# \triangle REF No.	PART No.	PART NAME, DESCRIPTION	# \triangle REF No.	PART No.	PART NAME, DESCRIPTION

PACKING AND ACCESSORY ASSEMBLY <M1>					
301	LP31034-002B	PACKING CASE	308	QPC02202230P	POLY BAG
302	LP30718-001B	CUSHION ASSY	\triangle 309	PECA0903	LI BATTERY,CR2025
303	PQM30021-93	POLY BAG	\triangle 310	LPT0604-001A	INST.BOOK(EN)
306	LP20303-018A	REMOTE CONTROLLER	311	QPC02503530P	POLY BAG
306A	LP40225-002A	COVER(BATTERY)	312	PEAC0294-04	RF CABLE
307	-	BATTERY,X2("AA"TYPE)	313	QAM0004-002	S CABLE
			314	QAM0174-001	CABLE ASSY(AUDIO/VIDEO)
			315	QAM0259-001	ADAPTOR PLUG,X2
			316	BT-51010-2	WARRANTY CARD
			319	BT-51024-1	SER.NET CARD

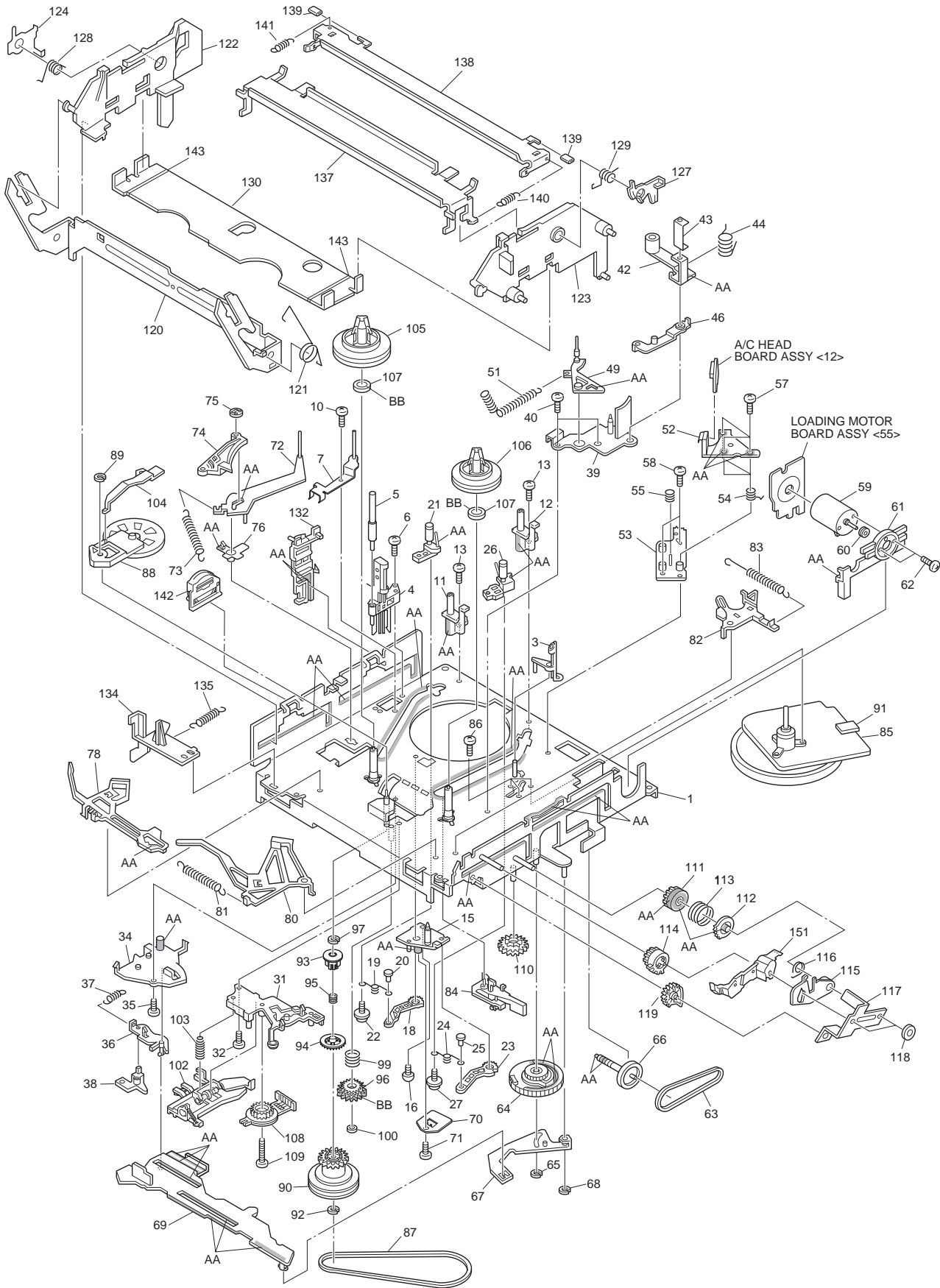
△ REF No. PART No. PART NAME, DESCRIPTION

△ REF No. PART No. PART NAME, DESCRIPTION

FINAL ASSEMBLY <M2>

△ 501	LP10289-071B	FRONT PANEL ASSY
501A	LP20868-040A	CASSETTE DOOR
501B	PQ46448	TORSION SPRING
501C	LP20869-0A4B	DISPLAY WINDOW
501D	LP21014-004A	ORNAMENT
△ 502	LP10013-027C	TOP COVER
503	QYTDSF3010M	SCREW,X2, TOP COVER(SIDE)
504	QYTDSF3010M	SCREW, TOP COVER(REAR)
505	LP20981-012A	DRUM SUB ASSY
505E	LP40323-001A	CONTACT
505F	LP30004-014A	COMPRESSION SPRING
506	PDZ0179-1-4	ROTOR ASSY
507	QYSPSP3006Z	SCREW,X2
△ 508	QAR0169-002	STATOR ASSY
509	QYSPSPH2606Z	SCREW,X2
510	QYTDST2610Z	SCREW,X3 DRUM
△ 511	LP10108-017B	BOTTOM CHASSIS
513	LP30312-001B	BRACKET(CHASSIS)
514	QYTDSF3010Z	SCREW,X2,BRACKET
515	QYTDSF4012Z	SCREW,MECHA
516	QYTDSF3010Z	SCREW,X2 MECHA
519	LP40407-001A	KNOB ASSY
525	PQ40413	SPECIAL SCREW,MECHA
526	LP30002-088C	SPACER,SHIELD FRAME
529	LP30954-003C	KNOB ASSY
530	QYTDSF3010Z	SCREW,MAIN
531	QYTDSF2608Z	SCREW,X2,S JACK
532	QYTDSF2608Z	SCREW,X2,ADV.JOG
535	QYTDSF3010M	SCREW,TERM.BOARD(2)
536	LP30191-001C	CAP,LT BATTEY
WR1	QUQ212-0518CG	FFC WIRE,DRUM CN3002
WR2	WJT0005-002A	E-CARD WIRE,A/C HEAD CN2001
WR3	QUQ112-0914CG	FFC WIRE,JOG(FSA) CN7001
WR4	WJT0026-001A	E-CARD WIRE,S(FSA) CN7103

5.3 MECHANISM ASSEMBLY <M4>



Classification	Part No.	Symbol in drawing
Grease	KYODO-SH-P	AA
Oil	COSMO-HV56	BB

NOTE:The section marked in **AA** and **BB** indicate lubrication and greasing areas.

#	△	REF No.	PART No.	PART NAME, DESCRIPTION	#	△	REF No.	PART No.	PART NAME, DESCRIPTION

MECHANISM ASSEMBLY <M4>									
1			LP20821-009A	MAIN DECK ASSY	75			PQ46302-1-3	ADJUST PIN
3			LP30492-002B	GUIDE POLE GUARD	76			LP30232-002A	TENSION ARM BEARING
4			NAH0001-001	FULL ERASE HEAD	78			LP40532-008B	MAIN BRAKE ASSY (SUPPLY)
5			LP40701-001A	GUIDE POLE(SUPPLY)	80			LP40111-011A	MAIN BRAKE ASSY (TAKE UP)
6			QYTDST2608Z	SCREW,FE HEAD	81			LP30003-026A	TENSION SPRING
7			LP40637-002A	TENSION STUD BASE ASSY	82			LP40112-001F	SUB BRAKE ASSY(TAKE UP)
10			QYTDST2606Z	SCREW	83			LP40357-002A	TENSION SPRING
11			LP30409-002C	UV CATCHER 2 (SUPPLY)	84			LP40461-001A	CAPSTAN BRAKE ASSY
12			LP30409-002C	UV CATCHER 2 (TAKE UP)	85			QAR0087-005	CAPSTAN MOTOR
13			QYTPST2606Z	SCREW,X2	86			QYTDST2606M	SCREW,X3
15			LP30223-003C	LOADING ARM GEAR SHAFT	87			LP30005-007A	BELT,CAPSTAN MOTOR
16			QYTDST2606Z	SCREW	88			LP40114-011B	IDLER ARM ASSY
18			LP30224-001B	LOADING ARM GEAR(SUPPLY)	89			LP30016-001A	SLIT WASHER
19			LP40099-001A	TORSION ARM	90			LP40593-003C	CLUTCH UNIT 3
20			LP40100-001A	PIN	91			LP30002-097A	SPACER,CAPSTAN MOTOR
21			LP40101-006A	POLE BASE ASSY(SUPPLY)	92			PQM30017-47	SLIT WASHER
22			QYSPSTG2606Z	SCREW	93			LP30696-002A	CLUTCH GEAR 4
23			LP40103-002B	LOADING ARM GEAR(TAKE UP)	94			LP30697-003A	COUPLING GEAR
24			LP40099-001A	TORSION ARM	95			LP40554-002A	COMPRESSION SPRING
25			LP40100-002A	PIN	96			LP40442-001A	DIRECT GEAR
26			LP40104-006A	POLE BASE ASSY(TAKE UP)	97			LP30017-019A	SPACER,C.GEAR4
27			QYSPSTG2606Z	SCREW	99			LP40483-002A	COMPRESSION SPRING
31			LP20233-004B	ROTARY ENCODER GUIDE	100			LP30016-001A	SLIT WASHER,DIRECT GEAR
32			QYTPST2606Z	SCREW	101			LP30016-001A	SLIT WASHER,REEL DISK(SUPPLY)
34			LP30226-004E	CONTROL PLATE GUIDE	102			LP40484-001J	CHANGE LEVER ASSY
35			QYTPST2605Z	SCREW	103			LP40512-002B	COMPRESSION SPRING
36			LP30249-003B	TAKE UP LEVER	104			LP30236-002C	IDLER LEVER
37			LP30003-006A	TENSION SPRING	105			LP20237-004A	REEL DISK (SUPPLY)
38			LP40119-002A	TAKE UP HEAD	106			LP20238-004A	REEL DISK (TAKE UP)
39			LP20234-004B	LID GUIDE	107			LP30017-022A	SPACER,X2
40			QYTDST2606Z	SCREW,X2	108			QSW0554-003	ROTARY ENCODER
42			LP40105-003A	PINCH ROLLER ARM ASSY	109			QYTPST2620Z	SCREW
43			LP40753-001A	PINCH ROLLER SHEET3	110			LP30237-002B	CASSETTE GEAR
44			LP40148-002A	TORSION SPRING	111			LP30239-002G	LIMIT GEAR(1)
46			LP40149-001C	PRESS LEVER ASSY	112			LP30240-002G	LIMIT GEAR(2)
49			LP40106-007A	GUIDE ARM ASSY	113			LP40136-001E	TORSION SPRING
51			LP40134-002A	TENSION SPRING	114			LP30242-002B	RELAY GEAR
52			QAH0058-001	AC HEAD	115			LP30339-002F	OPENER GUIDE
53			LP30228-001C	HEAD BASE	116			LP40545-001A	TORSION SPRING
54			LP30004-013A	COMPRESSION SPRING,X3	117			LP40214-001B	C.H.BRACKET
55			LP40236-001A	COMPRESSION SPRING	118			PQM30017-47	SLIT WASHER,X2
57			LP40213-002B	SPECIAL SCREW,X3	119			LP30243-002A	DRIVE GEAR
58			QYTDST2608Z	SCREW,X2	120			LP20240-001G	DRIVE ARM
59			QAR0023-001	LOADING MOTOR	121			LP40137-001A	TORSION SPRING
60			PQ43546-1-2	MOTOR PULLEY	122			LP10081-002P	SIDE HOLDER(L)
61			LP30230-003D	MOTOR GUIDE	123			LP10082-002V	SIDE HOLDER(R)
62			QYTPSP3003Z	SCREW,X2	124			LP30255-006B	LOCK LEVER(L)
63			LP30005-003A	BELT,LOADING MOTOR	127			LP30256-001H	LOCK LEVER(R)
64			LP20791-002D	CONTROL CAM	128			LP40168-003A	TORSION SPRING(L)
65			PQM30017-24	SLIT WASHER	129			LP40218-001B	TORSION SPRING(R)
66			LP40120-001A	WORM GEAR	130			LP30257-001G	CASSETTE HOLDER
67			LP40107-002A	LINK LEVER ASSY	131			PQ40919-30	SPACER,EARTH PLATE
68			PQM30017-24	SLIT WASHER	132			LP30244-002G	GUIDE RAIL
69			LP10201-003G	CONTROL PLATE	134			LP30245-002F	REC SAFETY LEVER
70			LP40379-001B	CONTROL BRACKET(1)	135			LP30003-004A	TENSION SPRING
71			QYTDST2608M	SCREW	137			LP20578-001C	TOP GUIDE
72			LP40108-001A	TENSION ARM ASSY	138			LP30500-001C	HOLD PLATE
73			LP30003-010A	TENSION SPRING	139			LP40450-003A	PAD,X2
74			LP40109-003D	TENSION BRAKE ASSY	140			LP30003-025B	TENSION SPRING
					141			LP30003-024A	TENSION SPRING
					142			LP40481-003A	ROLLER CAM ASSY
					143			LP30019-014A	PAD,X2
					151			LP20324-003B	DOOR OPENER

5.4 ELECTRICAL PARTS LIST

#	△ REF No.	PART No.	PART NAME, DESCRIPTION

MAIN BOARD ASSEMBLY <03>			
PW1		LPA10134-12A1	MAIN BOARD ASSY
IC1		JCP8050-NSA	IC
		or JCP8050-MSA	IC
IC501		JCP8038	IC
IC502		VC2076DP	IC
IC3001		MN101D02HVK	IC
		or MN101DP02JAFWK	IC
IC3002		BA6956AN	IC
IC3003		IC-PST3423U-X	IC
IC3004		S-24C04BFJ-X	IC
		or X24C04S	IC
		or 24LC04B/SN-X	IC
		or AT24C04N-10SC-X	IC
		or BR24C04F-W-X	IC
IC5301		L5431	IC
		or MM1431AT	IC
		or UTCTL431	IC
IC7001		PT6312LQ	IC
		or UPD16312GB/H/	IC
IC7003		GP1U291Q	IR DETECT UNIT
		or PIC-28143LJ	IR DETECT UNIT
		or PIC-37143LJ	IR DETECT UNIT
		or PNA4652M00YC	IR DETECT UNIT
Q7		2SC4081/QRS/-X	TRANSISTOR
		or 2PC4081/R/-X	TRANSISTOR
Q8		2SC4081/QRS/-X	TRANSISTOR
		or 2PC4081/R/-X	TRANSISTOR
Q9		2SA1576A/QR/-X	TRANSISTOR
		or 2PA1576/R/-X	TRANSISTOR
Q12		2SA1576A/QR/-X	TRANSISTOR
		or 2PA1576/R/-X	TRANSISTOR
Q17		DTC144WU	DIGI TRANSISTOR
		or PDTC144WU	DIGI TRANSISTOR
		or UN521E	DIGI TRANSISTOR
		or RN1309	DIGI TRANSISTOR
Q21		2SA1576A/QR/-X	TRANSISTOR
		or 2PA1576/R/-X	TRANSISTOR
Q33		DTC144WU	DIGI TRANSISTOR
		or PDTC144WU	DIGI TRANSISTOR
		or RN1309	DIGI TRANSISTOR
		or UN521E	DIGI TRANSISTOR
Q38		2SC4081/QRS/-X	TRANSISTOR
		or 2PC4081/R/-X	TRANSISTOR
Q401		2SA1576A/QR/-X	TRANSISTOR
Q402		2SA1576A/QR/-X	TRANSISTOR
Q403		DTC144WU	DIGI TRANSISTOR
		or PDTC144WU	DIGI TRANSISTOR
		or RN1309	DIGI TRANSISTOR
		or UN521E	DIGI TRANSISTOR
Q404		DTC144WU	DIGI TRANSISTOR
		or PDTC144WU	DIGI TRANSISTOR
		or RN1309	DIGI TRANSISTOR
		or UN521E	DIGI TRANSISTOR
Q405		2SA1576A/QR/-X	TRANSISTOR
Q901		2SA1576A/QR/-X	TRANSISTOR
		or 2PA1576/R/-X	TRANSISTOR
Q903		2SA1576A/QR/-X	TRANSISTOR

#	△ REF No.	PART No.	PART NAME, DESCRIPTION
		or 2PA1576/R/-X	TRANSISTOR
Q904		2SA1576A/QR/-X	TRANSISTOR
		or 2PA1576/R/-X	TRANSISTOR
Q2001		2SC4081/QRS/-X	TRANSISTOR
		or 2SD1819A/QRS/-X	TRANSISTOR
		or 2PC4081/R/-X	TRANSISTOR
Q2002		2SC4081/QRS/-X	TRANSISTOR
		or 2PC4081/R/-X	TRANSISTOR
		or 2SD1819A/QRS/-X	TRANSISTOR
Q2003		DTA144WU	DIGI TRANSISTOR
		or PDTA144WU	DIGI TRANSISTOR
		or RN2309	TRANSISTOR
		or UN511E	DIGI TRANSISTOR
Q2051		2SC4081/QRS/-X	TRANSISTOR
		or 2PC4081/R/-X	TRANSISTOR
		or 2SD1819A/QRS/-X	TRANSISTOR
Q2052		2SA1576A/QR/-X	TRANSISTOR
		or 2SB1218A/QR/-X	TRANSISTOR
		or 2PA1576/R/-X	TRANSISTOR
Q2053		DTC144WU	DIGI TRANSISTOR
		or PDTC144WU	DIGI TRANSISTOR
		or RN1309	DIGI TRANSISTOR
		or UN521E	DIGI TRANSISTOR
Q2054		2SA1576A/QR/-X	TRANSISTOR
		or 2PA1576/R/-X	TRANSISTOR
		or 2SB1218A/QR/-X	TRANSISTOR
Q2055		DTC144WU	DIGI TRANSISTOR
		or PDTC144WU	DIGI TRANSISTOR
		or RN1309	DIGI TRANSISTOR
		or UN521E	DIGI TRANSISTOR
Q2061		2SC4081/QRS/-X	TRANSISTOR
		or 2SD1819A/QRS/-X	TRANSISTOR
		or 2PC4081/R/-X	TRANSISTOR
Q2062		2SA1576A/QR/-X	TRANSISTOR
		or 2PA1576/R/-X	TRANSISTOR
		or 2SB1218A/QR/-X	TRANSISTOR
Q2063		DTC144WU	DIGI TRANSISTOR
		or PDTC144WU	DIGI TRANSISTOR
		or RN1309	DIGI TRANSISTOR
		or UN521E	DIGI TRANSISTOR
Q2251		DTA144WU	DIGI TRANSISTOR
		or PDTA144WU	DIGI TRANSISTOR
		or RN2309	TRANSISTOR
		or UN511E	DIGI TRANSISTOR
Q3002		PTZ-NV16	PHOTO TRANSISTOR
		or PTZ-NV16A	PHOTO TRANSISTOR
Q3004		2SD1819A/QRS/-X	TRANSISTOR
		or 2PC4081/R/-X	TRANSISTOR
		or 2SC4081/QRS/-X	TRANSISTOR
Q4001		UN5211	DIGI TRANSISTOR
		or RN1302	DIGI TRANSISTOR
		or DTC114EU	DIGI TRANSISTOR
		or PDTC114EU	DIGI TRANSISTOR
Q4002		2SD1819A/QRS/-X	TRANSISTOR
		or 2PC4081/R/-X	TRANSISTOR
		or 2SC4081/QRS/-X	TRANSISTOR
Q5101		2SK2043-CB14	FE TRANSISTOR
		or 2SK2324	POWER MOS FET
		or 2SK2324-LT	POWER MOS FET
		or 2SK2043	FE TRANSISTOR
Q5102		2SD2144S/UV-T	TRANSISTOR

#	△	REF No.	PART No.	PART NAME, DESCRIPTION	#	△	REF No.	PART No.	PART NAME, DESCRIPTION	
			Q5302	2SD2375/QP/					or YG801C04	SB DIODE
			Q5303	2SD1819A/RS/-X					or SB640FCT	SB DIODE
				or 2SC4081/RS/-X			D5210	AU01Z	FR DIODE	
				or 2PC4081/R/-X					or ERA18-02-T2	FR DIODE
			Q5304	2SD2144S/UV/-T					or 1SR153-400-T2	FR DIODE
			Q5305	DTA114EU					or 10ELS2	FR DIODE
				or PDTA114EU					or PG104RS	FR DIODE
				or UN5111			D5211	AU01Z	FR DIODE	
				or RN2302					or ERA18-02-T2	FR DIODE
			Q5306	DTC114EU					or 10ELS2	FR DIODE
				or PDTC114EU					or 1SR153-400-T2	FR DIODE
				or UN5211					or PG104RS	FR DIODE
				or RN1302			D5301	MTZJ15C	ZENER DIODE	
			Q6030	2SB1218A/QR/-X					or RD15ES/B3/-T2	ZENER DIODE
				or 2SA1576A/QR/-X			D5302	NRSA02J-0R0X	MG RESISTOR	0Ω,1/10W
				or 2PA1576/R/-X			D5303	RD5.1JS/B2/-T2	ZENER DIODE	
			Q6551	2SC1740S/QRS/-T					or MA4051N/M/-T2	ZENER DIODE
				or 2SC3199/YG/-T			D5304	1SS355	DIODE	
				or KTC3199/YG/-T			D5307	QUY153-050Y	IM BUS WIRE	
			Q7201	2SA720/RS/-T			D5309	MTZJ27C	ZENER DIODE	
			D1	1SS133					or RD27ES/B3/-T2	ZENER DIODE
				or 1SS270A			D5310	1SS133	DIODE	
			D2	1SS133					or 1SS270A	DIODE
				or 1SS270A			D6002	HZ30-2L-T2	ZENER DIODE	
			D6	1SS355					or HZ30-2LTD	Z DIODE (M)
			D501	1SS355			D6551	MTZJ10B	ZENER DIODE	
			D2202	MTZJ9.1B			D7001	RD9.1ES/B2/-T2	ZENER DIODE	
			D3001	LNB2301L01VI					or MTZJ9.1B	ZENER DIODE
			D3002	1SS133					or UZ9.1BSB	ZENER DIODE
				or 1SS270A			D7003	1SS133	DIODE	
			D3004	11ES2					or 1SS270A	DIODE
				or 1A3G			D7004	1SS133	DIODE	
			D3005	11ES2					or 1SS270A	DIODE
				or 1A3G			D7005	1SS133	DIODE	
			D3006	RD33ES/B2/-T2					or 1SS270A	DIODE
				or MTZJ33B			D7006	1SS133	DIODE	
			D3007	NRSA02J-0R0X	0Ω,1/10W				or 1SS270A	DIODE
△			D3008	RB721Q-40-T2			D7008	SLR-325MC-T	LE DIODE	
			D3013	DA204U			D7009	SLR-325VC-T	LE DIODE	
			D5001	S1WB/A/60-4102			R1	NRSA02J-622X	MG RESISTOR	6.2kΩ,1/10W
				or S1WB(A)60F4072X			R2	NRSA02J-152X	MG RESISTOR	1.5kΩ,1/10W
				or S1WB/A/60-X			R3	NRSA02J-152X	MG RESISTOR	1.5kΩ,1/10W
			D5101	AU01			R4	NRSA02J-103X	MG RESISTOR	10kΩ,1/10W
				or ERA18-04-T2			R6	NRSA02J-103X	MG RESISTOR	10kΩ,1/10W
				or 10ELS4			R7	NRSA02J-102X	MG RESISTOR	1kΩ,1/10W
				or 1SR153-400-T2			R8	NRSA02J-0R0X	MG RESISTOR	0Ω,1/10W
			D5102	AU01			R9	NRSA02J-0R0X	MG RESISTOR	0Ω,1/10W
				or ERA18-04-T2			R21	NRSA02J-102X	MG RESISTOR	1kΩ,1/10W
				or 1SR153-400-T2			R22	NRSA02J-102X	MG RESISTOR	1kΩ,1/10W
				or 10ELS4			R25	NRSA02J-103X	MG RESISTOR	10kΩ,1/10W
			D5103	1SS133			R26	NRSA02J-822X	MG RESISTOR	8.2kΩ,1/10W
				or 1SS270A			R27	NRSA02J-102X	MG RESISTOR	1kΩ,1/10W
			D5201	AU01Z			R28	NRSA02J-102X	MG RESISTOR	1kΩ,1/10W
				or 10ELS2			R29	NRSA02J-222X	MG RESISTOR	2.2kΩ,1/10W
			D5203	AU01Z			R31	NRSA02J-122X	MG RESISTOR	1.2kΩ,1/10W
				or 10ELS2			R32	NRSA02J-102X	MG RESISTOR	1kΩ,1/10W
			D5204	AU01Z			R33	NDC21HJ-7R0X	CAPACITOR	7pF,50V
				or 10ELS2			R34	NDC21HJ-270X	CAPACITOR	27pF,50V
			D5206	FMB-24			R36	NRSA02J-182X	MG RESISTOR	1.8kΩ,1/10W
				or FSQ05A04B			R39	NRSA02J-0R0X	MG RESISTOR	0Ω,1/10W
				or SF5SC4			R42	NRSA02J-681X	MG RESISTOR	680Ω,1/10W

#	△ REF No.	PART No.	PART NAME, DESCRIPTION	#	△ REF No.	PART No.	PART NAME, DESCRIPTION
R44		NRSA02J-223X	MG RESISTOR 22kΩ,1/10W	R2016		NRSA02J-473X	MG RESISTOR 47kΩ,1/10W
R45		NRSA02J-333X	MG RESISTOR 33kΩ,1/10W	R2017		NRSA02J-153X	MG RESISTOR 15kΩ,1/10W
R46		NRSA02J-271X	MG RESISTOR 270Ω,1/10W	R2018		NRSA02J-472X	MG RESISTOR 4.7kΩ,1/10W
R48		NRSA02J-102X	MG RESISTOR 1kΩ,1/10W	R2019		NRSA02J-472X	MG RESISTOR 4.7kΩ,1/10W
R68		NRSA02J-222X	MG RESISTOR 2.2kΩ,1/10W	R2053		NRSA02J-472X	MG RESISTOR 4.7kΩ,1/10W
R75		NRSA02J-225X	MG RESISTOR 2.2MΩ,1/10W	R2054		NRSA02J-153X	MG RESISTOR 15kΩ,1/10W
R77		NRSA02J-103X	MG RESISTOR 10kΩ,1/10W	R2055		NRSA02J-3R3X	MG RESISTOR 3.3Ω,1/10W
R90		NRSA02J-471X	MG RESISTOR 470Ω,1/10W	R2056		QRE141J-101Y	RESISTOR 100Ω,1/4W
R93		NRSA02J-102X	MG RESISTOR 1kΩ,1/10W	R2057		NRSA02J-473X	MG RESISTOR 47kΩ,1/10W
R104		NRSA02J-682X	MG RESISTOR 6.8kΩ,1/10W	R2058		NRSA02J-183X	MG RESISTOR 18kΩ,1/10W
R118		NRSA02J-0R0X	MG RESISTOR 0Ω,1/10W	R2059		NRSA02J-473X	MG RESISTOR 47kΩ,1/10W
R120		NRSA02J-103X	MG RESISTOR 10kΩ,1/10W	R2060		NRSA02J-183X	MG RESISTOR 18kΩ,1/10W
R201		NRSA02J-332X	MG RESISTOR 3.3kΩ,1/10W	R2061		NRSA02J-273X	MG RESISTOR 27kΩ,1/10W
R202		NRSA02J-222X	MG RESISTOR 2.2kΩ,1/10W	R2062		NRSA02J-3R3X	MG RESISTOR 3.3Ω,1/10W
R401		NRSA02J-221X	MG RESISTOR 220Ω,1/10W	R2063		NRSA02J-151X	MG RESISTOR 150Ω,1/10W
R402		NRSA02J-102X	MG RESISTOR 1kΩ,1/10W	R2064		NRSA02J-473X	MG RESISTOR 47kΩ,1/10W
R403		NRSA02J-391X	MG RESISTOR 390Ω,1/10W	R2065		NRSA02J-183X	MG RESISTOR 18kΩ,1/10W
R404		NRSA02J-473X	MG RESISTOR 47kΩ,1/10W	R2201		NRSA02J-680X	MG RESISTOR 68Ω,1/10W
R405		NRSA02J-683X	MG RESISTOR 68kΩ,1/10W	R2204		NRSA02J-0R0X	MG RESISTOR 0Ω,1/10W
R407		NRSA02J-472X	MG RESISTOR 4.7kΩ,1/10W	R2205		NRSA02J-0R0X	MG RESISTOR 0Ω,1/10W
R408		NRSA02J-473X	MG RESISTOR 47kΩ,1/10W	R2206		NRSA02J-101X	MG RESISTOR 100Ω,1/10W
R503		NRSA02J-221X	MG RESISTOR 220Ω,1/10W	R2207		NRSA02J-332X	MG RESISTOR 3.3kΩ,1/10W
R504		NRSA02J-332X	MG RESISTOR 3.3kΩ,1/10W	R2217		NRSA02J-103X	MG RESISTOR 10kΩ,1/10W
R505		NRSA02J-392X	MG RESISTOR 3.9kΩ,1/10W	R2218		NRSA02J-393X	MG RESISTOR 39kΩ,1/10W
R506		NRSA02J-391X	MG RESISTOR 390Ω,1/10W	R2219		NRSA02J-393X	MG RESISTOR 39kΩ,1/10W
R507		NRSA02J-122X	MG RESISTOR 1.2kΩ,1/10W	R2223		NRSA02J-123X	MG RESISTOR 12kΩ,1/10W
R508		NRSA02J-151X	MG RESISTOR 150Ω,1/10W	R2224		NRSA02J-123X	MG RESISTOR 12kΩ,1/10W
R509		NRSA02J-162X	MG RESISTOR 1.6kΩ,1/10W	R2232		NRSA02J-680X	MG RESISTOR 68Ω,1/10W
R510		NRVA02D-102X	CMF RESISTOR 1kΩ,1/10W	R2251		QRE141J-102Y	RESISTOR 1kΩ,1/4W
R511		NRVA02D-471X	CMF RESISTOR 470Ω,1/10W	R3003		NRSA02J-102X	MG RESISTOR 1kΩ,1/10W
R512		NRVA02D-102X	CMF RESISTOR 1kΩ,1/10W	R3005		NRSA02J-102X	MG RESISTOR 1kΩ,1/10W
R513		NRVA02D-152X	CMF RESISTOR 1.5kΩ,1/10W	R3008		QUY160-100Y	IM BUS WIRE
R514		NRVA02D-332X	CMF RESISTOR 3.3kΩ,1/10W	R3013		NRSA02J-0R0X	MG RESISTOR 0Ω,1/10W
R515		NRVA02D-332X	CMF RESISTOR 3.3kΩ,1/10W	R3014		NRSA02J-102X	MG RESISTOR 1kΩ,1/10W
R901		NRSA02J-820X	MG RESISTOR 82Ω,1/10W	R3017		NRSA02J-102X	MG RESISTOR 1kΩ,1/10W
R902		NRSA02J-152X	MG RESISTOR 1.5kΩ,1/10W	R3018		NRSA02J-102X	MG RESISTOR 1kΩ,1/10W
R904		QRE123J-331X	RESISTOR 330Ω,1/2W	R3019		NRSA02J-0R0X	MG RESISTOR 0Ω,1/10W
R905		NRSA02J-101X	MG RESISTOR 100Ω,1/10W	R3021		NRSA02J-102X	MG RESISTOR 1kΩ,1/10W
R911		NRSA02J-750X	MG RESISTOR 75Ω,1/10W	R3022		NRSA02J-102X	MG RESISTOR 1kΩ,1/10W
R912		NRSA02J-750X	MG RESISTOR 75Ω,1/10W	R3028		NRSA02J-102X	MG RESISTOR 1kΩ,1/10W
R914		NRSA02J-750X	MG RESISTOR 75Ω,1/10W	R3035		NRSA02J-102X	MG RESISTOR 1kΩ,1/10W
R915		NRSA02J-750X	MG RESISTOR 75Ω,1/10W	R3042		NRSA02J-0R0X	MG RESISTOR 0Ω,1/10W
R916		NRSA02J-750X	MG RESISTOR 75Ω,1/10W	R3058		NRSA02J-102X	MG RESISTOR 1kΩ,1/10W
R917		NRSA02J-750X	MG RESISTOR 75Ω,1/10W	R3060		NRSA02J-102X	MG RESISTOR 1kΩ,1/10W
R919		QRE123J-331X	RESISTOR 330Ω,1/2W	R3078		NRSA02J-102X	MG RESISTOR 1kΩ,1/10W
R920		NRSA02J-101X	MG RESISTOR 100Ω,1/10W	R3088		NRSA02J-102X	MG RESISTOR 1kΩ,1/10W
R921		NRSA02J-101X	MG RESISTOR 100Ω,1/10W	R3090		NRSA02J-102X	MG RESISTOR 1kΩ,1/10W
R922		QRE123J-331X	RESISTOR 330Ω,1/2W	R3094		NRSA02J-102X	MG RESISTOR 1kΩ,1/10W
R924		NRSA02J-750X	MG RESISTOR 75Ω,1/10W	R3096		NRSA02J-102X	MG RESISTOR 1kΩ,1/10W
R925		NRSA02J-750X	MG RESISTOR 75Ω,1/10W	R3097		NRSA02J-102X	MG RESISTOR 1kΩ,1/10W
R2001		NRSA02J-101X	MG RESISTOR 100Ω,1/10W	R3098		NRSA02J-102X	MG RESISTOR 1kΩ,1/10W
R2003		NRSA02J-101X	MG RESISTOR 100Ω,1/10W	R3099		NRSA02J-102X	MG RESISTOR 1kΩ,1/10W
R2004		NRSA02J-332X	MG RESISTOR 3.3kΩ,1/10W	R3201		NRSA02J-332X	MG RESISTOR 3.3kΩ,1/10W
R2005		NRSA02J-103X	MG RESISTOR 10kΩ,1/10W	R3206		NRSA02J-103X	MG RESISTOR 10kΩ,1/10W
R2006		NRSA02J-393X	MG RESISTOR 39kΩ,1/10W	R3207		NRSA02J-103X	MG RESISTOR 10kΩ,1/10W
R2007		NRSA02J-393X	MG RESISTOR 39kΩ,1/10W	R3208		NRSA02J-103X	MG RESISTOR 10kΩ,1/10W
R2009		NRSA02J-123X	MG RESISTOR 12kΩ,1/10W	R3209		QRE141J-181Y	RESISTOR 180Ω,1/4W
R2010		NRSA02J-123X	MG RESISTOR 12kΩ,1/10W	R3211		NRSA02J-183X	MG RESISTOR 18kΩ,1/10W
R2013		NRSA02J-682X	MG RESISTOR 6.8kΩ,1/10W	R3212		NRSA02J-181X	MG RESISTOR 180Ω,1/10W
R2014		NRSA02J-224X	MG RESISTOR 220kΩ,1/10W	R3213		NRSA02J-273X	MG RESISTOR 27kΩ,1/10W
R2015		NRSA02J-181X	MG RESISTOR 180Ω,1/10W	R3214		NRSA02J-181X	MG RESISTOR 180Ω,1/10W

#	△	REF No.	PART No.	PART NAME, DESCRIPTION	#	△	REF No.	PART No.	PART NAME, DESCRIPTION	
		R3215	NRSA02J-273X	MG RESISTOR			R5332	QRE141J-222Y	RESISTOR	2.2kΩ,1/4W
		R3216	QRE141J-474Y	RESISTOR			R6020	NRSA02J-102X	MG RESISTOR	1kΩ,1/10W
		R3217	NRSA02J-334X	MG RESISTOR			R6021	NRSA02J-102X	MG RESISTOR	1kΩ,1/10W
		R3218	NRSA02J-103X	MG RESISTOR			R6030	NRSA02J-332X	MG RESISTOR	3.3kΩ,1/10W
		R3219	QRE141J-103Y	RESISTOR			R6031	NRSA02J-101X	MG RESISTOR	100Ω,1/10W
		R3220	NRSA02J-103X	MG RESISTOR			R6032	NRSA02J-123X	MG RESISTOR	12kΩ,1/10W
		R3221	NRSA02J-562X	MG RESISTOR			R6050	QRE141J-330Y	RESISTOR	33Ω,1/4W
		R3222	NRSA02J-472X	MG RESISTOR			R6051	QRE141J-102Y	RESISTOR	1kΩ,1/4W
		R3223	NRSA02J-105X	MG RESISTOR			R6508	QUY153-050Y	IM BUS WIRE	
		R3224	NRSA02J-101X	MG RESISTOR			R6510	NRSA02J-0R0X	MG RESISTOR	0Ω,1/10W
		R3226	NRSA02J-472X	MG RESISTOR			R6551	NRSA02J-271X	MG RESISTOR	270Ω,1/10W
		R3227	NRSA02J-472X	MG RESISTOR			R6552	NRSA02J-101X	MG RESISTOR	100Ω,1/10W
		R3232	NRSA02J-104X	MG RESISTOR			R7001	NRSA02J-103X	MG RESISTOR	10kΩ,1/10W
		R3233	NRSA02J-472X	MG RESISTOR			R7002	NRSA02J-103X	MG RESISTOR	10kΩ,1/10W
		R3234	QRE141J-472Y	RESISTOR			R7003	NRSA02J-103X	MG RESISTOR	10kΩ,1/10W
△		R3235	QRE141J-102Y	RESISTOR			R7004	NRSA02J-103X	MG RESISTOR	10kΩ,1/10W
		R3236	NRSA02J-103X	MG RESISTOR			R7005	NRSA02J-472X	MG RESISTOR	4.7kΩ,1/10W
		R3237	NRSA02J-103X	MG RESISTOR			R7006	NRSA02J-471X	MG RESISTOR	470Ω,1/10W
		R3238	NRSA02J-103X	MG RESISTOR			R7007	NRSA02J-103X	MG RESISTOR	10kΩ,1/10W
		R3240	NRSA02J-103X	MG RESISTOR			R7008	NRSA02J-563X	MG RESISTOR	56kΩ,1/10W
		R3241	NRSA02J-103X	MG RESISTOR			R7009	QRE141J-103Y	RESISTOR	10kΩ,1/4W
		R3243	QRE141J-103Y	RESISTOR			R7011	NRSA02J-333X	MG RESISTOR	33kΩ,1/10W
		R3244	NRSA02J-103X	MG RESISTOR			R7012	QRE141J-333Y	RESISTOR	33kΩ,1/4W
		R4001	NRSA02J-222X	MG RESISTOR			R7013	NRSA02J-333X	MG RESISTOR	33kΩ,1/10W
		R4002	NRSA02J-562X	MG RESISTOR			R7014	NRSA02J-333X	MG RESISTOR	33kΩ,1/10W
		R4003	NRSA02J-222X	MG RESISTOR			R7015	NRSA02J-472X	MG RESISTOR	4.7kΩ,1/10W
		R4006	NRSA02J-272X	MG RESISTOR			R7016	NRSA02J-103X	MG RESISTOR	10kΩ,1/10W
		R4010	NRSA02J-471X	MG RESISTOR			R7017	NRSA02J-331X	MG RESISTOR	330Ω,1/10W
		R4011	NRSA02J-471X	MG RESISTOR			R7018	NRSA02J-331X	MG RESISTOR	330Ω,1/10W
		R4012	NRSA02J-153X	MG RESISTOR			R7022	NRSA02J-0R0X	MG RESISTOR	0Ω,1/10W
		R4018	NRSA02J-103X	MG RESISTOR			R7026	QUY160-100Y	IM BUS WIRE	
		R4019	NRSA02J-102X	MG RESISTOR			R7035	NRSA02J-0R0X	MG RESISTOR	0Ω,1/10W
		R4020	NRSA02J-102X	MG RESISTOR			R7202	NRSA02J-471X	MG RESISTOR	470Ω,1/10W
		R4021	NRSA02J-103X	MG RESISTOR			R7203	NRSA02J-222X	MG RESISTOR	2.2kΩ,1/10W
		R4024	QRE141J-103Y	RESISTOR			R7204	QRE123J-100X	RESISTOR	10Ω,1/2W
△		R5001	QRZ9046-475Z	RESISTOR			R7205	NRSA02J-472X	MG RESISTOR	4.7kΩ,1/10W
		R5101	QRE141J-224Y	RESISTOR			B3	NRSA02J-0R0X	MG RESISTOR	0Ω,1/10W
		R5102	QRE141J-224Y	RESISTOR			B8	NRSA02J-0R0X	MG RESISTOR	0Ω,1/10W
		R5103	QRE141J-683Y	RESISTOR			B11	NRSA02J-0R0X	MG RESISTOR	0Ω,1/10W
		R5104	QRG02GJ-683	OMF RESISTOR			B33	NRSA02J-0R0X	MG RESISTOR	0Ω,1/10W
		R5106	QRT01DJ-R39X	MF RESISTOR			B43	NRSA02J-0R0X	MG RESISTOR	0Ω,1/10W
		R5107	QRE121J-331Y	RESISTOR			B503	QUY153-050Y	IM BUS WIRE	
		R5108	NRSA02J-122X	MG RESISTOR			B5301	NRSA02J-0R0X	MG RESISTOR	0Ω,1/10W
		R5109	NRSA02J-681X	MG RESISTOR			B5303	NRSA02J-0R0X	MG RESISTOR	0Ω,1/10W
		R5110	NRSA02J-224X	MG RESISTOR			B5304	NRSA02J-0R0X	MG RESISTOR	0Ω,1/10W
		R5301	NRSA02J-472X	MG RESISTOR			B6020	NRSA02J-0R0X	MG RESISTOR	0Ω,1/10W
		R5302	NRSA02J-102X	MG RESISTOR			B6550	QUY160-080Y	IM BUS WIRE	
		R5303	NRSA02J-122X	MG RESISTOR			B6551	QUY160-080Y	IM BUS WIRE	
		R5304	NRSA02J-471X	MG RESISTOR			B7002	NRSA02J-0R0X	MG RESISTOR	0Ω,1/10W
		R5305	NRSA02J-102X	MG RESISTOR			B7003	NRSA02J-0R0X	MG RESISTOR	0Ω,1/10W
		R5306	NRSA02J-471X	MG RESISTOR			B7004	NRSA02J-0R0X	MG RESISTOR	0Ω,1/10W
		R5308	NRSA02J-471X	MG RESISTOR			B7005	NRSA02J-0R0X	MG RESISTOR	0Ω,1/10W
		R5309	NRSA02J-103X	MG RESISTOR			B7006	NRSA02J-0R0X	MG RESISTOR	0Ω,1/10W
		R5310	NRSA02J-471X	MG RESISTOR			B7007	NRSA02J-0R0X	MG RESISTOR	0Ω,1/10W
		R5311	NRSA02J-473X	MG RESISTOR			B7013	QUY160-060Y	IM BUS WIRE	
		R5312	NRVA02D-332X	CMF RESISTOR			B7020	NRSA02J-0R0X	MG RESISTOR	0Ω,1/10W
		R5313	NRVA02D-362X	CMF RESISTOR			B7022	NRSA02J-0R0X	MG RESISTOR	0Ω,1/10W
		R5314	NRSA02J-102X	MG RESISTOR			C1	NCF21CZ-105X	CAPACITOR	1μF,16V
		R5316	NRVA02D-822X	CMF RESISTOR			C2	NCF21CZ-105X	CAPACITOR	1μF,16V
△		R5318	QRZ9005-221X	FUSI RESISTOR			C3	NCF21CZ-105X	CAPACITOR	1μF,16V
		R5326	QUY153-050Y	IM BUS WIRE			C4	NCF21CZ-105X	CAPACITOR	1μF,16V

#	△ REF No.	PART No.	PART NAME, DESCRIPTION	#	△ REF No.	PART No.	PART NAME, DESCRIPTION
C5		QEKJ0JM-476	E CAPACITOR 47μF,6.3V	C503		QEKJ1HM-225	E CAPACITOR 2.2μF,50V
C7		NDC21HJ-151X	CAPACITOR 150pF,50V	C504		NCB21EK-104X	CAPACITOR 0.1μF,25V
C8		NCB21EK-104X	CAPACITOR 0.1μF,25V	C505		QEKJ1EM-475	E CAPACITOR 4.7μF,25V
C9		NCB21HK-103X	CAPACITOR 0.01μF,50V	C506		NCB21HK-103X	CAPACITOR 0.01μF,50V
C10		NDC21HJ-151X	CAPACITOR 150pF,50V	C507		QEKJ0JM-476	E CAPACITOR 47μF,6.3V
C11		NCB21EK-104X	CAPACITOR 0.1μF,25V	C508		QEKJ1HM-474	E CAPACITOR 0.47μF,50V
C12		NDC21HJ-7R0X	CAPACITOR 7pF,50V	C509		QEKJ1CM-106	E CAPACITOR 10μF,16V
C14		NCB21EK-104X	CAPACITOR 0.1μF,25V	C510		QEKJ0JM-476	E CAPACITOR 47μF,6.3V
C15		NCB21HK-103X	CAPACITOR 0.01μF,50V	C511		NCB21HK-103X	CAPACITOR 0.01μF,50V
C16		NCB21EK-104X	CAPACITOR 0.1μF,25V	C512		NCB21HK-103X	CAPACITOR 0.01μF,50V
C17		QEKJ1HM-335	E CAPACITOR 3.3μF,50V	C513		QEKJ1EM-475	E CAPACITOR 4.7μF,25V
C19		QEKJ0JM-336	E CAPACITOR 33μF,6.3V	C514		NCB21HK-103X	CAPACITOR 0.01μF,50V
C20		QEKJ1HM-105	E CAPACITOR 1μF,50V	C515		QCBB1HK-103	CAPACITOR 0.01μF,50V
C21		NCB21EK-104X	CAPACITOR 0.1μF,25V	C516		NCB21HK-103X	CAPACITOR 0.01μF,50V
C22		QEKJ0JM-476	E CAPACITOR 47μF,6.3V	C517		NCB21HK-103X	CAPACITOR 0.01μF,50V
C23		NCB21HK-103X	CAPACITOR 0.01μF,50V	C518		NCB21EK-104X	CAPACITOR 0.1μF,25V
C24		NCB21EK-104X	CAPACITOR 0.1μF,25V	C519		QERF1HM-225	E CAPACITOR 2.2μF,50V
C25		NDC21HJ-4R0X	CAPACITOR 4pF,50V	C520		QERF1EM-475	E CAPACITOR 4.7μF,25V
C26		NCB21HK-103X	CAPACITOR 0.01μF,50V	C521		QEKJ1EM-475	E CAPACITOR 4.7μF,25V
C27		NCB21HK-223X	CAPACITOR 0.022μF,50V	C522		QEKJ1HM-225	E CAPACITOR 2.2μF,50V
C28		QEKJ1HM-335	E CAPACITOR 3.3μF,50V	C523		QEKJ1HM-225	E CAPACITOR 2.2μF,50V
C29		NCB21HK-472X	CAPACITOR 0.0047μF,50V	C524		NDC21HG-301X	CAPACITOR 300pF,50V
C30		QEKJ1HM-474	E CAPACITOR 0.47μF,50V	C525		NDC21HG-301X	CAPACITOR 300pF,50V
C31		QEKJ0JM-476	E CAPACITOR 47μF,6.3V	C526		NDC21HJ-101X	CAPACITOR 100pF,50V
C32		QCBB1HK-103	CAPACITOR 0.01μF,50V	C527		NDC21HJ-181X	CAPACITOR 180pF,50V
C33		QEKJ1HM-225	E CAPACITOR 2.2μF,50V	C528		NDC21HG-271X	CAPACITOR 270pF,50V
C34		NCB21EK-104X	CAPACITOR 0.1μF,25V	C529		NDC21HG-820X	CAPACITOR 82pF,50V
C35		NCB21EK-104X	CAPACITOR 0.1μF,25V	C530		NDC21HG-221X	CAPACITOR 220pF,50V
C36		QEKJ1HM-475	E CAPACITOR 4.7μF,50V	C531		NDC21HG-301X	CAPACITOR 300pF,50V
C37		QEKJ1HM-105	E CAPACITOR 1μF,50V	C532		NDC21HG-301X	CAPACITOR 300pF,50V
C38		QEKJ0JM-476	E CAPACITOR 47μF,6.3V	C533		NCB21HK-103X	CAPACITOR 0.01μF,50V
C39		NCB21HK-103X	CAPACITOR 0.01μF,50V	C534		QEKJ0JM-476	E CAPACITOR 47μF,6.3V
C40		QEKJ1EM-106	E CAPACITOR 10μF,25V	C535		NCB21HK-103X	CAPACITOR 0.01μF,50V
C54		NCB21HK-103X	CAPACITOR 0.01μF,50V	C551		QERF1HM-105	E CAPACITOR 1μF,50V
C59		NCB21HK-103X	CAPACITOR 0.01μF,50V	C552		NRSA02J-0R0X	MG RESISTOR 0Ω,1/10W
C60		QEKJ0JM-476	E CAPACITOR 47μF,6.3V	C553		NCB21HK-103X	CAPACITOR 0.01μF,50V
C61		NCB21HK-103X	CAPACITOR 0.01μF,50V	C555		NRSA02J-0R0X	MG RESISTOR 0Ω,1/10W
C63		NCB21EK-473X	CAPACITOR 0.047μF,25V	C557		QERF1HM-105	E CAPACITOR 1μF,50V
C64		NDC21HJ-120X	CAPACITOR 12pF,50V	C558		NRSA02J-0R0X	MG RESISTOR 0Ω,1/10W
C71		NCB21HK-103X	CAPACITOR 0.01μF,50V	C559		NCB21HK-103X	CAPACITOR 0.01μF,50V
C72		NDC21HJ-470X	CAPACITOR 47pF,50V	C560		QERF1HM-105	E CAPACITOR 1μF,50V
C73		NDC21HJ-120X	CAPACITOR 12pF,50V	C561		QERF1HM-105	E CAPACITOR 1μF,50V
C74		NDC21HJ-120X	CAPACITOR 12pF,50V	C563		NCB21HK-103X	CAPACITOR 0.01μF,50V
C80		NCB21HK-103X	CAPACITOR 0.01μF,50V	C567		NCB21HK-103X	CAPACITOR 0.01μF,50V
C84		NRSA02J-822X	MG RESISTOR 8.2kΩ,1/10W	C901		QETN0JM-477	E CAPACITOR 470μF,6.3V
C110		NCB21HK-331X	CAPACITOR 330pF,50V	C904		NCB21HK-103X	CAPACITOR 0.01μF,50V
C137		NCB21HK-103X	CAPACITOR 0.01μF,50V	C911		NRSA02J-0R0X	MG RESISTOR 0Ω,1/10W
C201		QEKJ0JM-476	E CAPACITOR 47μF,6.3V	C912		NCB21HK-103X	CAPACITOR 0.01μF,50V
C202		NCB21EK-104X	CAPACITOR 0.1μF,25V	C913		QETN0JM-477	E CAPACITOR 470μF,6.3V
C203		QEKJ1HM-105	E CAPACITOR 1μF,50V	C914		NRSA02J-0R0X	MG RESISTOR 0Ω,1/10W
C205		NDC21HJ-101X	CAPACITOR 100pF,50V	C2001		QEKJ1HM-475	E CAPACITOR 4.7μF,50V
C207		NCF21CZ-105X	CAPACITOR 1μF,16V	C2002		QEKJ1EM-106	E CAPACITOR 10μF,25V
C220		NDC21HJ-101X	CAPACITOR 100pF,50V	C2003		QEKJ0JM-476	E CAPACITOR 47μF,6.3V
C401		NCB21HK-103X	CAPACITOR 0.01μF,50V	C2005		QEKJ1HM-475	E CAPACITOR 4.7μF,50V
C402		NCB21HK-223X	CAPACITOR 0.022μF,50V	C2006		NCB21HK-123X	CAPACITOR 0.012μF,50V
C403		NDC21HJ-151X	CAPACITOR 150pF,50V	C2007		QEKJ1CM-226	E CAPACITOR 22μF,16V
C404		NDC21HJ-470X	CAPACITOR 47pF,50V	C2008		QEKJ1HM-475	E CAPACITOR 4.7μF,50V
C406		NCB21HK-681X	CAPACITOR 680pF,50V	C2009		NCB21HK-102X	CAPACITOR 0.001μF,50V
C407		NDC21HJ-180X	CAPACITOR 18pF,50V	C2010		NCB21HK-222X	CAPACITOR 0.0022μF,50V
C501		QEKJ1HM-225	E CAPACITOR 2.2μF,50V	C2011		QEKJ1HM-475	E CAPACITOR 4.7μF,50V
C502		QEKJ1HM-104	E CAPACITOR 0.1μF,50V	C2012		QEKJ1HM-475	E CAPACITOR 4.7μF,50V

#	△	REF No.	PART No.	PART NAME, DESCRIPTION	#	△	REF No.	PART No.	PART NAME, DESCRIPTION
C2051			NCB21HK-331X	CAPACITOR 330pF,50V	C5006			QETM2DM-157	E CAPACITOR 150μF,200V
C2052			QFLC1HJ-333Z	F CAPACITOR 0.033μF,50V	C5101			QCZ0212-472	CAPACITOR 0.0047μF,1kV
C2053			NCB21HK-332X	CAPACITOR 0.0033μF,50V	C5102			QCZ0339-101Z	CAPACITOR 100pF,1kV
C2054			NCB21HK-103X	CAPACITOR 0.01μF,50V	C5104			QEKJ1HM-105	E CAPACITOR 1μF,50V
C2055			QEKJ1EM-106	E CAPACITOR 10μF,25V	C5105			QFN31HJ-183	F CAPACITOR 0.018μF,50V
C2061			QFLC1HJ-333Z	F CAPACITOR 0.033μF,50V	C5107			QFV91HJ-104	F CAPACITOR 0.1μF,50V
C2062			NCB21HK-332X	CAPACITOR 0.0033μF,50V	C5201			QEMU0JM-227	E CAPACITOR 220μF,6.3V
C2063			NCB21HK-103X	CAPACITOR 0.01μF,50V	C5202			QETN1CM-108	E CAPACITOR 1000μF,16V
C2064			QEKJ1EM-106	E CAPACITOR 10μF,25V	C5203			QEMT1AM-128	E CAPACITOR 1200μF,10V
C2201			NCB21EK-104X	CAPACITOR 0.1μF,25V	C5204			QETJ2AM-475	E CAPACITOR 4.7μF,100V
C2202			NCB21EK-333X	CAPACITOR 0.033μF,25V	C5205			QETN1HM-106	E CAPACITOR 10μF,50V
C2203			QEKJ1EM-106	E CAPACITOR 10μF,25V	C5206			QETN1AM-476	E CAPACITOR 47μF,10V
C2204			NCB21HK-102X	CAPACITOR 0.001μF,50V	C5207			QETN1CM-107	E CAPACITOR 100μF,16V
C2205			QEKJ1HM-105	E CAPACITOR 1μF,50V	C5301			QEKJ1CM-107	E CAPACITOR 100μF,16V
C2206			QEKJ1EM-106	E CAPACITOR 10μF,25V	C5302			QEKJ1HM-106	E CAPACITOR 10μF,50V
C2207			QEKJ1CM-476	E CAPACITOR 47μF,16V	C5303			QEKJ1CM-107	E CAPACITOR 100μF,16V
C2208			QEKJ1HM-475	E CAPACITOR 4.7μF,50V	C5304			NCB21HK-102X	CAPACITOR 0.001μF,50V
C2209			QEKJ1HM-104	E CAPACITOR 0.1μF,50V	C5305			QFV91HJ-154	F CAPACITOR 0.15μF,50V
C2210			QEKJ1HM-104	E CAPACITOR 0.1μF,50V	C5311			NCB21HK-103X	CAPACITOR 0.01μF,50V
C2215			QEKJ1HM-475	E CAPACITOR 4.7μF,50V	C6029			NRSA02J-0R0X	MG RESISTOR 0Ω,1/10W
C2217			QEKJ1EM-106	E CAPACITOR 10μF,25V	C7001			QEKJ0JM-476	E CAPACITOR 47μF,6.3V
C2219			QEKJ1EM-106	E CAPACITOR 10μF,25V	C7002			NCB21EK-104X	CAPACITOR 0.1μF,25V
C2220			QEKJ1HM-475	E CAPACITOR 4.7μF,50V	C7003			QETJ1AM-227	E CAPACITOR 220μF,10V
C2221			NCB21HK-103X	CAPACITOR 0.01μF,50V	C7005			NDC21HJ-470X	CAPACITOR 47pF,50V
C2222			QEKJ1HM-474	E CAPACITOR 0.47μF,50V	C7006			NDC21HJ-330X	CAPACITOR 33pF,50V
C2223			QEKJ1HM-474	E CAPACITOR 0.47μF,50V	C7007			QEKJ1HM-106	E CAPACITOR 10μF,50V
C2224			NCB21HK-103X	CAPACITOR 0.01μF,50V	C7008			NCB21HK-102X	CAPACITOR 0.001μF,50V
C2225			QEKJ1HM-475	E CAPACITOR 4.7μF,50V	C7011			QCFB1HZ-104	CAPACITOR 0.1μF,50V
C2226			QEKJ1EM-106	E CAPACITOR 10μF,25V	C7015			QCFB1HZ-104	CAPACITOR 0.1μF,50V
C2227			NCB21EK-104X	CAPACITOR 0.1μF,25V	C7206			QEKJ0JM-227	E CAPACITOR 220μF,6.3V
C2251			QEKJ0JM-476	E CAPACITOR 47μF,6.3V	L1			QQL29BJ-100Z	COIL 10μH
C2252			NCB21HK-103X	CAPACITOR 0.01μF,50V	L2			QQL29BJ-101Z	COIL 100μH
C2253			NCB21HK-103X	CAPACITOR 0.01μF,50V	L3			QQL29BJ-100Z	COIL 10μH
C2254			NCB21HK-103X	CAPACITOR 0.01μF,50V	L4			QQL29BJ-100Z	COIL 10μH
C3001			NCB21EK-104X	CAPACITOR 0.1μF,25V	L5			QQL29BJ-100Z	COIL 10μH
C3003			QEKJ1EM-106	E CAPACITOR 10μF,25V	L11			QQL01BJ-120Z	COIL 12μH
C3008			NCB21HK-102X	CAPACITOR 0.001μF,50V	L13			QQL231J-101Y	COIL 100μH
C3013			QEKJ1EM-106	E CAPACITOR 10μF,25V	L15			QQL29BJ-100Z	COIL 10μH
C3016			NDC21HJ-180X	CAPACITOR 18pF,50V	L18			QUY153-050Y	IM BUS WIRE
C3017			NDC21HJ-270X	CAPACITOR 27pF,50V	L19			QQL29BJ-100Z	COIL 10μH
C3019			NDC21HJ-150X	CAPACITOR 15pF,50V	L20			QQL231J-101Y	COIL 100μH
C3020			NDC21HJ-180X	CAPACITOR 18pF,50V	L28			QQL231J-150Y	COIL 15μH
C3022			NCB21EK-104X	CAPACITOR 0.1μF,25V	L201			QUY153-050Y	IM BUS WIRE
C3023			NCF21CZ-105X	CAPACITOR 1μF,16V	L203			QQL231J-3R3Y	COIL 3.3μH
C3028			QETN0JM-108	E CAPACITOR 1000μF,6.3V	L401			QQL231J-150Y	COIL 15μH
C3035			NCB21EK-104X	CAPACITOR 0.1μF,25V	L402			QUY153-050Y	IM BUS WIRE
C3036			QERF0JM-107	E CAPACITOR 100μF,6.3V	L501			QQL29BJ-100Z	COIL 10μH
C3048			NCB21HK-103X	CAPACITOR 0.01μF,50V	L503			QQL29BJ-100Z	COIL 10μH
C4001			NCB21EK-104X	CAPACITOR 0.1μF,25V	L504			QQL29BJ-100Z	COIL 10μH
C4002			QERF1HM-105	E CAPACITOR 1μF,50V	L901			QQL29BJ-101Z	COIL 100μH
C4004			QERF1AM-336	E CAPACITOR 33μF,10V	L2001			QUY153-050Y	IM BUS WIRE
C4006			NCB21EK-563X	CAPACITOR 0.056μF,25V	L2251			QQL29BJ-100Z	COIL 10μH
C4007			NCB21HK-103X	CAPACITOR 0.01μF,50V	L4001			QUY153-050Y	IM BUS WIRE
C4009			NCB21HK-102X	CAPACITOR 0.001μF,50V	L5201			PELN1184	COIL 33μH
C4010			QERF0JM-476	E CAPACITOR 47μF,6.3V	L5202			PU60944-330K	COIL 33μH
C4011			NCB21CK-224X	CAPACITOR 0.22μF,16V	L5301			QQL01BJ-101Z	COIL 100μH
C4014			NDC21HJ-101X	CAPACITOR 100pF,50V	L6001			QQL29BK-1R0Z	COIL 1.0μH
C4015			NDC21HJ-101X	CAPACITOR 100pF,50V	L6003			QQL29BK-1R0Z	COIL 1.0μH
C4019			NCB21HK-103X	CAPACITOR 0.01μF,50V	L6004			QQL071J-1R0Y	COIL 1.0μH
C4022			NDC21HJ-101X	CAPACITOR 100pF,50V	L6032			QUY153-050Y	IM BUS WIRE
△ C5001			QFZ9073-683	F CAPACITOR 0.068μF,250V	L6050			QUY153-050Y	IM BUS WIRE
△ C5004			QCZ9094-472	CAPACITOR 0.0047μF,125V	L7201			QQL29BJ-101Z	COIL 100μH

#	△ REF No.	PART No.	PART NAME, DESCRIPTION
		X2	QAX0575-001 CRYSTAL RESONATOR
		X3001	QAX0526-001 CRYSTAL RESONATOR
		X3002	QAX0444-001 CRYSTAL RESONATOR
		S3001	QSW0602-004 PUSH SWITCH,REC SAFETY
		S3002	QSW0695-001 PUSH SWITCH,S CASSETTE
		S7001	QSW0456-002Z TACT SWITCH,POWER
		S7002	QSW0456-002Z TACT SWITCH,RECLINK
		S7004	QSW0456-002Z TACT SWITCH,INSERT
		S7006	QSW0456-002Z TACT SWITCH,A.DUB
		S7008	QSW0456-002Z TACT SWITCH,PLAY
		S7010	QSW0456-002Z TACT SWITCH,EASY PROG.
		S7011	QSW0456-002Z TACT SWITCH,REC
		S7013	QSW0456-002Z TACT SWITCH,PAUSE
		S7015	QSW0456-002Z TACT SWITCH,STOP/EJECT
		S7016	QSW0456-002Z TACT SWITCH,S-ET
		K2251	NRSA02J-0R0X MG RESISTOR 0Ω,1/10W
		K2252	NRSA02J-0R0X MG RESISTOR 0Ω,1/10W
		K2253	NRSA02J-0R0X MG RESISTOR 0Ω,1/10W
		K5101	QQR0678-001Z FERRITE BEAD
		K5102	QQR0678-001Z FERRITE BEAD
		PC3001	GP3S123 IC(PHOTO SENSOR)
		PC3002	GP3S123 IC(PHOTO SENSOR)
△		PC5101	PS2501-1 PH COUPLER
		T2051	PELN0860 OSC TRANSFORMER
		T2052	PELN0861 OSC TRANSFORMER
△		T5001	QQS0031-002 SW TRANSFORMER
		ET1	LP30859-001A EARTH PLATE
		HD1	PQ35479-1-4 HOLDER(FDP),DI7001
		HS1	LP40090-001A HEAT SINK,IC5101
△		CD1	QMPD340-165-K POWER CORD
		SD1	LP30864-001A SHIELD CASE(PRE)
		DI7001	QLF0031-001 FL TUBE
		TU6001	QAU0207-001 TUNER
		OT1	QYTDSF3010M SCREW,X2,TEARMINAL
		OT2	QYTDST3006Z SCREW,IC5101
		J1	QNN0380-002 PIN JACK,REAR1 IN
		J2	QNN0286-002 PIN JACK,REAR OUT
		J4	QND0076-001 S JACK,REAR S IN
		J5	QND0076-001 S JACK,REAR S OUT
△		TB1	LP20887-013A TERMINAL BOARD
△		TB2	LP20161-001A TERM.BOARD(2)
		FC5001	QNG0006-001Z FUSE CLIP,F5001
		FC5002	QNG0006-001Z FUSE CLIP,F5001
		FW3001	QUM022-13A4A4 P.R.WIRE,R.PAUSE
		FW3002	QUM022-30A4A4 P.R.WIRE,C.BOX
		J7101	QNN0383-001 PIN JACK,FRONT IN
△		LF5002	QQR0532-001 LINE FILTER
△		VA5001	QAF0023-431Z VARISTOR
		CN1	QGF1028C1-13 FPC CONNECTOR,(1-13)U.DRUM
		CN2001	QGF1207C1-07 FPC CONNECTOR,(1-7)A/C HEAD
		CN2002	QGB2532J1-02 CONNECTOR,(1-2)FE HEAD
		CN3001	QGB2015M2-08 CONNECTOR,(1-8)CAPSTAN MOTOR
		CN3002	QGF1207C1-05 FPC CONNECTOR,(1-5)DRUM MDA
		CN3003	QGB2532J1-02 CONNECTOR,(1-2)LOADING MOTOR
		CN3004	QGB2534J2-04 CONNECTOR,(1-4)ROTARY ENCODER
		CN3007	QGD2001C1-02 W.T.CONNECTOR,(1-2)LT BATTERY
		CN7001	QGF1207C1-09 FPC CONNECTOR,(1-9)ADV.JOG
		CN7103	QGF1207C1-04 FPC CONNECTOR,(1-4)S JACK
△		CP4001	ICP-N25 CIRCUIT PROTECTOR
△		CP5302	ICP-N25 CIRCUIT PROTECTOR
△		F5001	QMF51N2-1R25J1 FUSE T1.25A,AC250V

#	△ REF No.	PART No.	PART NAME, DESCRIPTION

3D DIGITAL/2M BOARD ASSEMBLY <05>			
		PW1	LPA10105-02A 3D DIGITAL/2M BOARD ASSY
		IC1401	JCP8026 IC
		Q1401	2SC1317/RS/-T TRANSISTOR
		Q1402	2SA1576A/QR/-X TRANSISTOR
			or 2PA1576/R/-X TRANSISTOR
		Q1403	2SA1576A/QR/-X TRANSISTOR
			or 2PA1576/R/-X TRANSISTOR
		Q1406	2SA1576A/QR/-X TRANSISTOR
			or 2PA1576/R/-X TRANSISTOR
		Q1407	2SA1576A/QR/-X TRANSISTOR
			or 2PA1576/R/-X TRANSISTOR
		Q1408	2SC4081/S/-X TRANSISTOR
		Q1410	2SC4081/QRS/-X TRANSISTOR
			or 2PC4081/R/-X TRANSISTOR
		Q1412	2SC4081/QRS/-X TRANSISTOR
			or 2PC4081/R/-X TRANSISTOR
		Q1413	2SA1576A/QR/-X TRANSISTOR
			or 2PA1576/R/-X TRANSISTOR
		Q1414	DTC144WU DIGI TRANSISTOR
			or RN1309 DIGI TRANSISTOR
			or UN521E DIGI TRANSISTOR
		Q1417	2SC4081/QRS/-X TRANSISTOR
			or 2PC4081/R/-X TRANSISTOR
		Q1418	2SA1576A/QR/-X TRANSISTOR
			or 2PA1576/R/-X TRANSISTOR
		Q1419	DTC124TU DIGI TRANSISTOR
		Q1420	2SC4081/QRS/-X TRANSISTOR
			or 2PC4081/R/-X TRANSISTOR
		D1401	RD4.3ES/B2/-T2 ZENER DIODE
			or MTZJ4.3B ZENER DIODE
		D1402	1SS133 DIODE
			or 1N4148M DIODE
		R1401	NRSA02J-181X MG RESISTOR 180Ω,1/10W
		R1402	NRSA02J-101X MG RESISTOR 100Ω,1/10W
		R1404	NRSA02J-182X MG RESISTOR 1.8kΩ,1/10W
		R1406	NRSA02J-471X MG RESISTOR 470Ω,1/10W
		R1407	NRSA02J-272X MG RESISTOR 2.7kΩ,1/10W
		R1410	NRSA02J-241X MG RESISTOR 240Ω,1/10W
		R1411	NRSA02J-152X MG RESISTOR 1.5kΩ,1/10W
		R1413	NRSA02J-471X MG RESISTOR 470Ω,1/10W
		R1414	NRSA02J-821X MG RESISTOR 820Ω,1/10W
		R1415	NRSA02J-221X MG RESISTOR 220Ω,1/10W
		R1416	NRSA02J-104X MG RESISTOR 100kΩ,1/10W
		R1417	NRSA02J-101X MG RESISTOR 100Ω,1/10W
		R1418	NRSA02J-471X MG RESISTOR 470Ω,1/10W
		R1421	NRSA02J-331X MG RESISTOR 330Ω,1/10W
		R1426	NRSA02J-561X MG RESISTOR 560Ω,1/10W
		R1427	NRSA02J-333X MG RESISTOR 33kΩ,1/10W
		R1428	NRSA02J-393X MG RESISTOR 39kΩ,1/10W
		R1429	NRSA02J-152X MG RESISTOR 1.5kΩ,1/10W
		R1430	NRSA02J-222X MG RESISTOR 2.2kΩ,1/10W
		R1431	NRSA02J-821X MG RESISTOR 820Ω,1/10W
		R1432	NRSA02J-182X MG RESISTOR 1.8kΩ,1/10W
		R1433	NRSA02J-510X MG RESISTOR 51Ω,1/10W
		R1434	NRSA02J-153X MG RESISTOR 15kΩ,1/10W
		R1435	NRSA02J-223X MG RESISTOR 22kΩ,1/10W
		R1436	NRSA02J-682X MG RESISTOR 6.8kΩ,1/10W

#	REF No.	PART No.	PART NAME, DESCRIPTION
R1437		NRSA02J-392X	MG RESISTOR 3.9kΩ,1/10W
R1438		NRSA02J-473X	MG RESISTOR 47kΩ,1/10W
R1439		NRSA02J-273X	MG RESISTOR 27kΩ,1/10W
R1440		NRSA02J-473X	MG RESISTOR 47kΩ,1/10W
R1441		NRSA02J-682X	MG RESISTOR 6.8kΩ,1/10W
R1442		NRSA02J-682X	MG RESISTOR 6.8kΩ,1/10W
R1446		NRSA02J-102X	MG RESISTOR 1kΩ,1/10W
R1447		NRSA02J-102X	MG RESISTOR 1kΩ,1/10W
R1448		NRSA02J-102X	MG RESISTOR 1kΩ,1/10W
R1449		NRSA02J-102X	MG RESISTOR 1kΩ,1/10W
R1450		NRSA02J-102X	MG RESISTOR 1kΩ,1/10W
R1452		NRSA02J-471X	MG RESISTOR 470Ω,1/10W
R1453		NRSA02J-102X	MG RESISTOR 1kΩ,1/10W
R1454		NRSA02J-102X	MG RESISTOR 1kΩ,1/10W
R1455		NRSA02J-681X	MG RESISTOR 680Ω,1/10W
R1458		NRSA02J-681X	MG RESISTOR 680Ω,1/10W
R1459		NRSA02J-681X	MG RESISTOR 680Ω,1/10W
R1460		NRSA02J-273X	MG RESISTOR 27kΩ,1/10W
R1461		NRSA02J-121X	MG RESISTOR 120Ω,1/10W
R1463		NRSA02J-101X	MG RESISTOR 100Ω,1/10W
VR1401		QVZ3521-103Z	V RESISTOR
B1412		NRSA02J-0R0X	MG RESISTOR 0Ω,1/10W
C1401		QEKJ1CM-336	E CAPACITOR 33μF,16V
C1402		NDC21HK-103X	CAPACITOR 0.01μF,50V
C1403		QEKJ0JM-337	E CAPACITOR 330μF,6.3V
C1404		NCF21EZ-104X	CAPACITOR 0.1μF,25V
C1405		NCF21EZ-104X	CAPACITOR 0.1μF,25V
C1406		NCB21HK-103X	CAPACITOR 0.01μF,50V
C1407		NDC21HJ-680X	CAPACITOR 68pF,50V
C1408		NDC21HJ-330X	CAPACITOR 33pF,50V
C1410		QEKJ1EM-475	E CAPACITOR 4.7μF,25V
C1411		NCF21EZ-104X	CAPACITOR 0.1μF,25V
C1412		NDC21HJ-680X	CAPACITOR 68pF,50V
C1413		NDC21HJ-330X	CAPACITOR 33pF,50V
C1415		NCF21EZ-104X	CAPACITOR 0.1μF,25V
C1416		QEKJ1CM-106	E CAPACITOR 10μF,16V
C1417		NCF21EZ-104X	CAPACITOR 0.1μF,25V
C1421		NDC21HJ-330X	CAPACITOR 33pF,50V
C1422		NDC21HJ-680X	CAPACITOR 68pF,50V
C1423		NCF21EZ-104X	CAPACITOR 0.1μF,25V
C1424		NCB21HK-103X	CAPACITOR 0.01μF,50V
C1425		NCB21HK-103X	CAPACITOR 0.01μF,50V
C1426		NDC21HJ-390X	CAPACITOR 39pF,50V
C1428		NDC21HJ-220X	CAPACITOR 22pF,50V
C1429		QEKJ0JM-337	E CAPACITOR 330μF,6.3V
C1430		NCF21EZ-104X	CAPACITOR 0.1μF,25V
C1432		NCF21CZ-105X	CAPACITOR 1μF,16V
C1433		NCF21EZ-104X	CAPACITOR 0.1μF,25V
C1435		NCF21EZ-104X	CAPACITOR 0.1μF,25V
C1436		NCF21EZ-104X	CAPACITOR 0.1μF,25V
C1437		NCF21EZ-104X	CAPACITOR 0.1μF,25V
C1438		NCF21EZ-104X	CAPACITOR 0.1μF,25V
C1439		NCF21CZ-105X	CAPACITOR 1μF,16V
C1440		NCF21EZ-104X	CAPACITOR 0.1μF,25V
C1441		NCF21EZ-104X	CAPACITOR 0.1μF,25V
C1442		NCF21CZ-105X	CAPACITOR 1μF,16V
C1444		NCF21EZ-104X	CAPACITOR 0.1μF,25V
C1445		NCF21EZ-104X	CAPACITOR 0.1μF,25V
C1446		QEKJ0JM-107	E CAPACITOR 100μF,6.3V
C1447		NCF21EZ-104X	CAPACITOR 0.1μF,25V
C1448		QEKJ0JM-337	E CAPACITOR 330μF,6.3V

#	REF No.	PART No.	PART NAME, DESCRIPTION
C1449		NCF21EZ-104X	CAPACITOR 0.1μF,25V
C1450		NCF21EZ-104X	CAPACITOR 0.1μF,25V
C1451		QEKJ1EM-475	E CAPACITOR 4.7μF,25V
C1452		NCF21EZ-104X	CAPACITOR 0.1μF,25V
C1453		NCF21EZ-104X	CAPACITOR 0.1μF,25V
C1454		NCF21EZ-104X	CAPACITOR 0.1μF,25V
C1455		NCF21EZ-104X	CAPACITOR 0.1μF,25V
C1459		NDC21HJ-470X	CAPACITOR 47pF,50V
C1460		NDC21HJ-470X	CAPACITOR 47pF,50V
C1461		NDC21HJ-470X	CAPACITOR 47pF,50V
C1462		NDC21HJ-470X	CAPACITOR 47pF,50V
C1463		QEKJ0JM-336	E CAPACITOR 33μF,6.3V
C1465		NDC21HJ-470X	CAPACITOR 47pF,50V
C1466		NDC21HJ-470X	CAPACITOR 47pF,50V
C1467		NDC21HJ-470X	CAPACITOR 47pF,50V
C1468		NDC21HJ-101X	CAPACITOR 100pF,50V
C1471		NCF21EZ-104X	CAPACITOR 0.1μF,25V
C1472		NCF21EZ-104X	CAPACITOR 0.1μF,25V
C1473		NCF21EZ-104X	CAPACITOR 0.1μF,25V
L1401		QQL29BJ-100Z	COIL 10μH
L1402		QQL071J-6R8Y	COIL 6.8μH
L1403		QQL071J-6R8Y	COIL 6.8μH
L1404		QQL071J-6R8Y	COIL 6.8μH
L1405		QQL29BJ-100Z	COIL 10μH
L1406		QQL071J-330Y	COIL 33μH
L1407		QQL29BJ-100Z	COIL 10μH
LC1401		QQR0521-007Z	NOISE FILTER
LC1402		QQR0521-006Z	NOISE FILTER
SD1		LP30706-001C	SHIELD FRAME(S-VHS)
SD2		LP30684-001A	SHIELD CASE(S-VHS)
CN1401		QGG2502K1-17	HEADER PIN,(1-17)MAIN

A/C HEAD BOARD ASSEMBLY <12>

PW1	LP10122-01A1	A/C HEAD BOARD ASSY
CN1	QGF1208F1-07	FPC CONNECTOR

DEMOD BOARD ASSEMBLY <14>

PW1	PB11076A	DEMOD BOARD ASSY
IC1501	UPC1852AGT	IC
	or UPC1854AGT	IC
R1501	QRE141J-102Y	RESISTOR 1kΩ,1/4W
R1502	QRE141J-334Y	RESISTOR 330kΩ,1/4W
R1503	QRE141J-124Y	RESISTOR 120kΩ,1/4W
R1504	QRE141J-302Y	RESISTOR 3kΩ,1/4W
R1505	QRE141J-512Y	RESISTOR 5.1kΩ,1/4W
R1506	QRE141J-333Y	RESISTOR 33kΩ,1/4W
R1507	QRE141J-333Y	RESISTOR 33kΩ,1/4W
R1508	QRE141J-392Y	RESISTOR 3.9kΩ,1/4W
R1509	QRE141J-122Y	RESISTOR 1.2kΩ,1/4W
R1510	QRE141J-392Y	RESISTOR 3.9kΩ,1/4W

#	△ REF No.	PART No.	PART NAME, DESCRIPTION
R1511	QRE141J-122Y	RESISTOR	1.2kΩ,1/4W
R1517	QRE141J-123Y	RESISTOR	12kΩ,1/4W
C1501	QETN1CM-226	E CAPACITOR	22μF,16V
C1502	QETN1HM-104	E CAPACITOR	0.1μF,50V
C1503	QETN1HM-105	E CAPACITOR	1μF,50V
C1504	QETN1HM-475	E CAPACITOR	4.7μF,50V
C1505	QETN1HM-225	E CAPACITOR	2.2μF,50V
C1506	QETN1HM-104	E CAPACITOR	0.1μF,50V
C1507	QFV11HJ-473	F CAPACITOR	0.047μF,50V
C1508	QETN1HM-474	E CAPACITOR	0.47μF,50V
C1509	QETN1HM-104	E CAPACITOR	0.1μF,50V
C1510	QETN1HM-105	E CAPACITOR	1μF,50V
C1511	QETN1HM-105	E CAPACITOR	1μF,50V
C1512	QETN1HM-105	E CAPACITOR	1μF,50V
C1513	QETN1HM-335	E CAPACITOR	3.3μF,50V
C1514	QETN1HM-106	E CAPACITOR	10μF,50V
C1515	QETN1HM-105	E CAPACITOR	1μF,50V
C1516	QETN1HM-106	E CAPACITOR	10μF,50V
C1517	QETN1HM-106	E CAPACITOR	10μF,50V
C1518	QETN1HM-105	E CAPACITOR	1μF,50V
C1521	QETN1HM-106	E CAPACITOR	10μF,50V
BK1	LP40077-001A	BRACKET(BOARD)	
CN1501	QGG2502K1-09	HEADER PIN,(1-9)MAIN	

S.JACK BOARD ASSEMBLY <36>

PW1	LPA20009-01B	S JACK BOARD ASSY
J7102	QND0085-001	S JACK
CN7108	QGF1209F1-04	FPC CONNECTOR,(1-4)MAIN

ADV.JOG BOARD ASSEMBLY <38>

PW1	LPA20013-04B	ADV.JOG BOARD ASSY
UN7002	QSW0905-001	ROTARY ENCODER
CN7004	QGF1209F1-09	FPC CONNECTOR,(1-9)MAIN

LOADING MOTOR BOARD ASSEMBLY <55>

PW2	LP10122-01A2	LOADING MOTOR BOARD ASSY
CN1	QGB2533K1-02	CONNECTOR

R.PAUSE BOARD ASSEMBLY <91>

PW2	LPA10134-03E2	R.PAUSE BOARD ASSY	
R7156	NRSA02J-101X	MG RESISTOR	100Ω,1/10W
B7151	NRSA02J-0R0X	MG RESISTOR	0Ω,1/10W
B7152	NRSA02J-0R0X	MG RESISTOR	0Ω,1/10W
J7104	PU60612	MINI JACK	

#	△ REF No.	PART No.	PART NAME, DESCRIPTION

C.BOX CTL BOARD ASSEMBLY <92>

PW3	LPA10134-03E3	C.BOX BOARD ASSY	
R7155	NRSA02J-101X	MG RESISTOR	100Ω,1/10W
J7105	PU60612	MINI JACK	

LI BATTERY BOARD ASSEMBLY <93>

PW4	LPA10134-12A4	LI BATTERY BOARD ASSY
BT3001	QNZ0032-001	BATTERY HOLDER
FW7106	QUM032-12A4BF	P.R.WIRE,CN3007